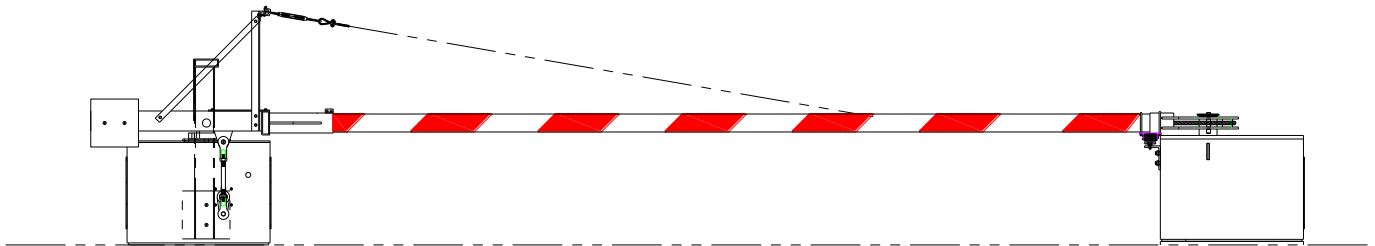




MODEL CR25M Manual Cable Beam Barrier

OPERATIONS & MAINTENANCE MANUAL



B&B ARMOR

Corporate Office & Tech Support:

5900 S. Lake Forest Drive, Suite 230

McKinney, TX 75070

Phone: (972) 385-7899

Toll Free: (800) 367-0387

Fax: (972) 385-9887

E-mail: info@bb-armr.com

techsupport@bb-armr.com

www.bb-armr.com

MADE IN THE USA

INTRODUCTION

Welcome

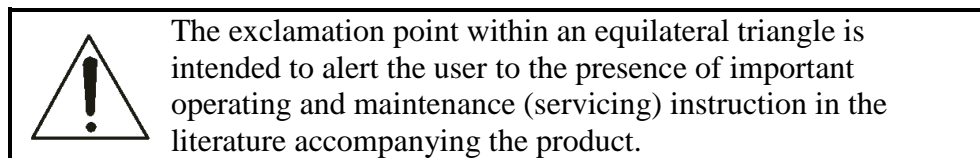
Congratulations on your purchase of a B&B ARMOR warning gate. We have years of experience in all aspects of perimeter security and related disciplines, and our products are used throughout the world to control access and to protect people, equipment, and facilities. Your warning gate is designed to give you years of smooth, trouble-free operation.

In addition to providing detailed operating instructions, this manual describes how to install, maintain, and troubleshoot your vehicle barrier. To make it easy to locate the information you need, we've included a detailed Table of Contents immediately following this Introduction. All of this is important information, so be sure to keep the manual available for reference.

If you need help with any aspect of your vehicle barrier's installation or operation, please contact us. We offer a broad range of vehicle barrier and related security services, so you can also call on us for:

- Turnkey installations
- Routine barrier preventative maintenance or emergency repairs (including work on non-B&B ARMOR products)
- Spare or replacement parts
- Custom designs or special installations
- Equipment upgrades
- Ancillary security equipment
- Technical support available by phone or in person with advanced scheduled notice.

Safety



Your safety is important to us. If you have any questions or are in doubt about any aspect of the equipment, please contact us. While B&B ARMOR does not assume responsibility for injury to persons or property during installation, operation, or maintenance, we can provide verbal guidance, additional written instructions, or the services of a factory engineer. We're here to help you operate your vehicle barrier safely and effectively.

As the user, you are responsible for correct and safe installation, operation, and maintenance of this equipment. Users must follow the specific instructions and safety precautions located in this manual.

In addition:

- Be aware of and follow the safety standards of the Occupational Safety and Health Administration (OSHA), as well as other applicable federal, state, and local safety regulations and industry standards and procedures. For installation outside the United States, users must also follow applicable international, regional, and local safety standards.
- Engage only properly trained experienced staff to install, operate, and maintain the equipment.
- Ensure that all repairs are performed correctly, using properly trained staff and the right tools and equipment.

How to Contact Us

If you have any questions or experience any problems with your vehicle barrier—or if we can help you with any other facility security issues—please contact us directly at:

Corporate/Tech Support:

B&B ARMOR

5900 S. Lake Forest Drive, Suite 230

McKinney, TX 75070 USA

Telephone: (972) 385-7899

Toll Free: (800) 367-0387

Fax: (972) 385-9887

E-mail: info@bb-armr.com

techsupport@bb-armr.com

Table of Contents

INTRODUCTION	2
Safety.....	2
How to Contact Us	3
1. ORIENTATION.....	5
1.1 CR25 Drive Stanchion Overview	5
1.2 CR25 Receiver Bollard Overview	6
1.3 CR25 Gate Arm Overview.....	7
2. PREVENTATIVE MAINTENANCE	8
2.1 Lubrication Schedule	8
2.2 Arm Adjustment.....	8
2.3 Visual Inspection.....	8
3. WARRANTY	8
4. GENERAL LAYOUT.....	9

1. ORIENTATION

The CR25 Vehicle Barrier Gate is designed to contain a vehicle impact and prevent that vehicle from entering a restricted access control area. The CR25 is comprised of 3 major components: Drive Stanchion, Receiver Bollard and Gate Arm. This section of the user manual shows these assemblies and details of each.

1.1 CR25 Drive Stanchion Overview

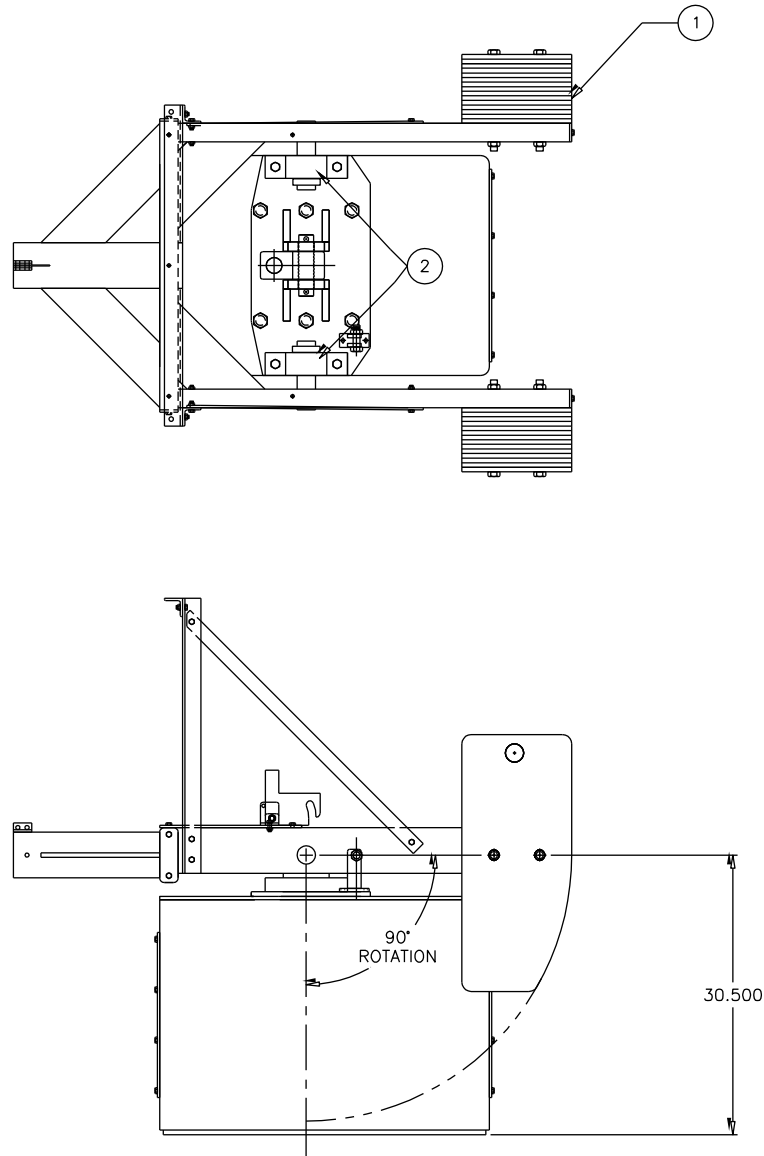


Figure 1 CR25 Drive Stanchion External Parts

1.2 CR25 Receiver Bollard Overview

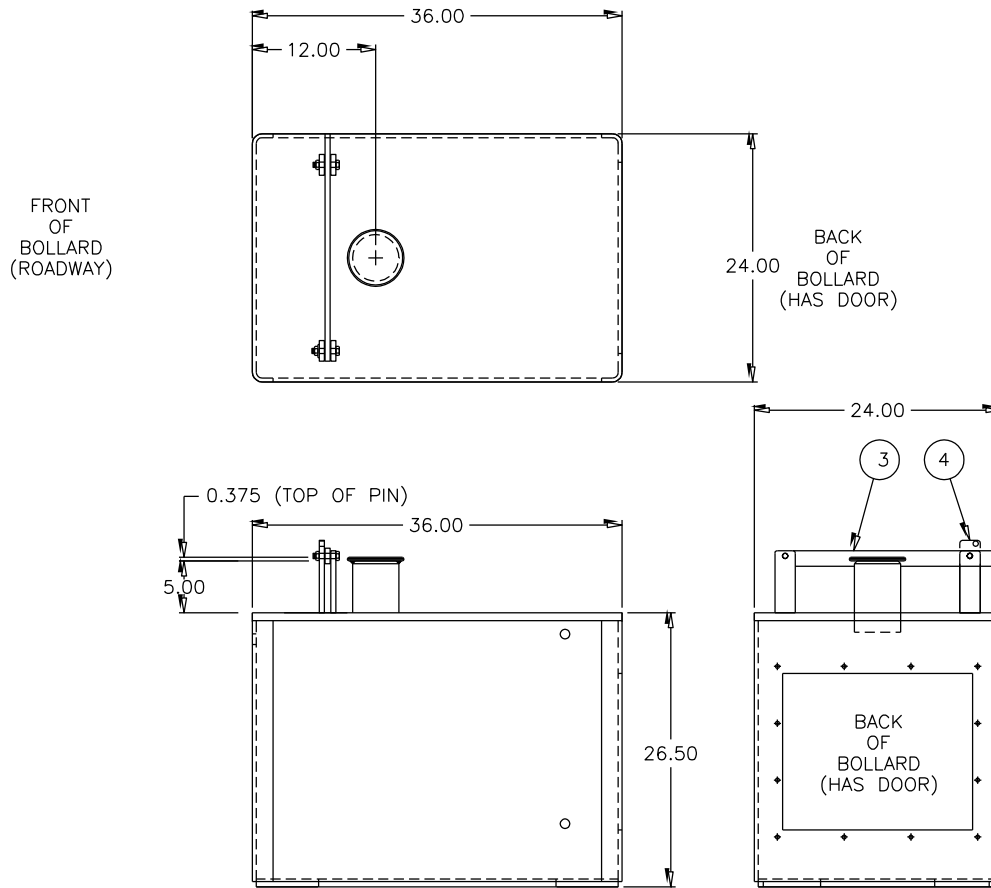


Figure 2 Receiver Bollard

1.3 CR25 Gate Arm Overview

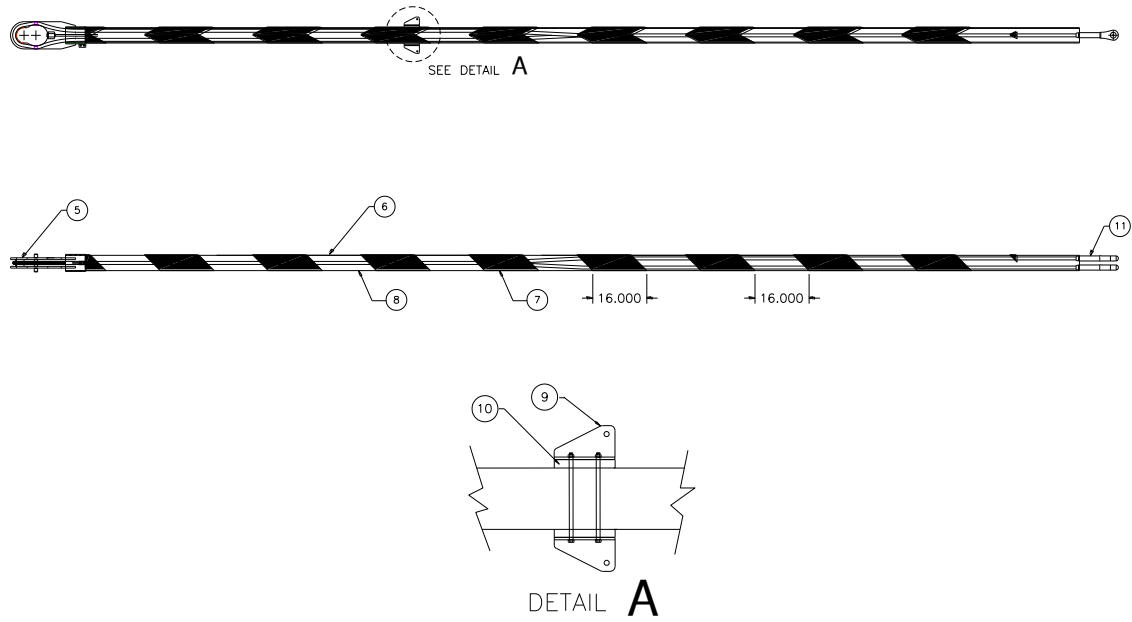


Figure 3 CR25 Gate Arm

ITEM NO	QTY	PART NUMBER	DESCRIPTION
1	AR	ACW-P010	Counterweight
2	2	1701-0200	Bearing, Pillow Block, 2"
3	1	0025-0515	Bar, Horizontal, Lock
4	1	0025-0603	Bar, Vertical, Padlock
5	1	0025-0540	Guide, Arm Cable
6	1	0025-0054-XXX	Arm, XXX=Clear Opening
7	AR	PRS-3932-12R	Stripe, Red Reflective
8	AR	PRS-3930-12W	Stripe, White Reflective
9	1	0100-0615	Bracket, Truss, Pair
10	2	0025-0583	Spacer, Truss
11	1	0160-0006	Cable, Arm, 7/8"

Table 1 CR25M Parts

2. PREVENTATIVE MAINTENANCE

2.1 Lubrication Schedule

Pillow Block Bearings:

1. Grease with Texaco Marfak 2 or equal.
2. Wipe off excess.

Connecting Rod Ends (Items 11 & 13):

1. Grease with Texaco Marfak 2 or equal.
2. Wipe off excess.

2.2 Arm Adjustment

Raise and lower the arm and observe the operation.

Cable guide should not interfere with the receiver pin.

Counterweights should not rub or come in contact with the bollard.

Check and adjust the truss cable tension. DO NOT over tighten the cables.

2.3 Visual Inspection

Inspect the bollard for signs of rust and touch up surface as needed.

3. WARRANTY

BBRSS warranties for a period of one (1) year FOB manufacturing facility, unless otherwise specified by BBRSS in writing, from defects due to faulty material or workmanship. Damage due to handling during shipment and installation are not covered under warranty. BBRSS assumes no responsibility for service at customer site. BBRSS is in no event responsible for any labor costs under the warranty. Subject to the above limitation, all service, parts, and replacements necessary to maintain the equipment as warranted shall be furnished by others. BBRSS shall not have any liability under these specifications, other than for repair or replacement as described above for faulty product material or workmanship. Equipment malfunction or equipment failure of any kind, caused for any reason, including, but not limited to unauthorized repairs, improper installation, installation not performed by BBRSS authorized personnel, incoming supply power is outside the tolerance for the product, failure to perform manufacturer's suggested preventative maintenance, modifications, misuse, accident, catastrophe, neglect, natural disaster, are not under warranty.

The exclusive remedy for breach of any warranty by BBRSS shall be the repair or replacement at BBRSS's option, of any defects in the equipment. **IN NO EVENT SHALL BBRSS BE LIABLE FOR CONSEQUENTIAL OR SPECIAL DAMAGES OR ANY KIND OF PERSONAL DAMAGES.** Except as provided herein, BBRSS makes no warranties or representations to consumer or to anyone else and consumer hereby waives all liability against BBRSS as well as any other person for the design, manufacture, sale, installation, and/or servicing of the Products.

THE FOREGOING WARRANTIES ARE IN LIEU OF ALL OTHER WARRANTIES EXPRESS OR IMPLIED, INCLUDING THE IMPLIED WARRANTY OF MERCHANTABILITY AND FITNESS FOR A PARTICULAR PURPOSE. NO OTHER WARRANTIES EXIST.

Any modification or alteration by anyone other than BBRSS will render the warranty herein as null and void.

4. GENERAL LAYOUT

