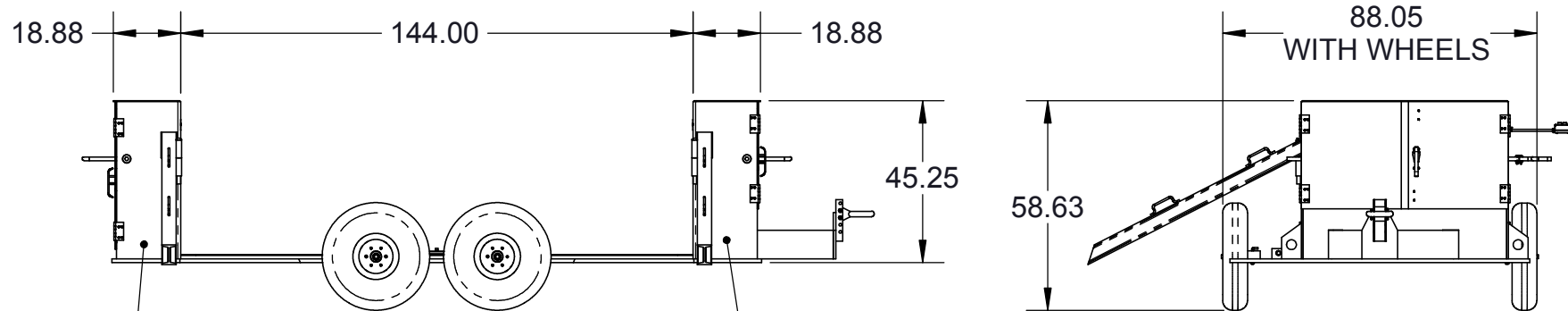
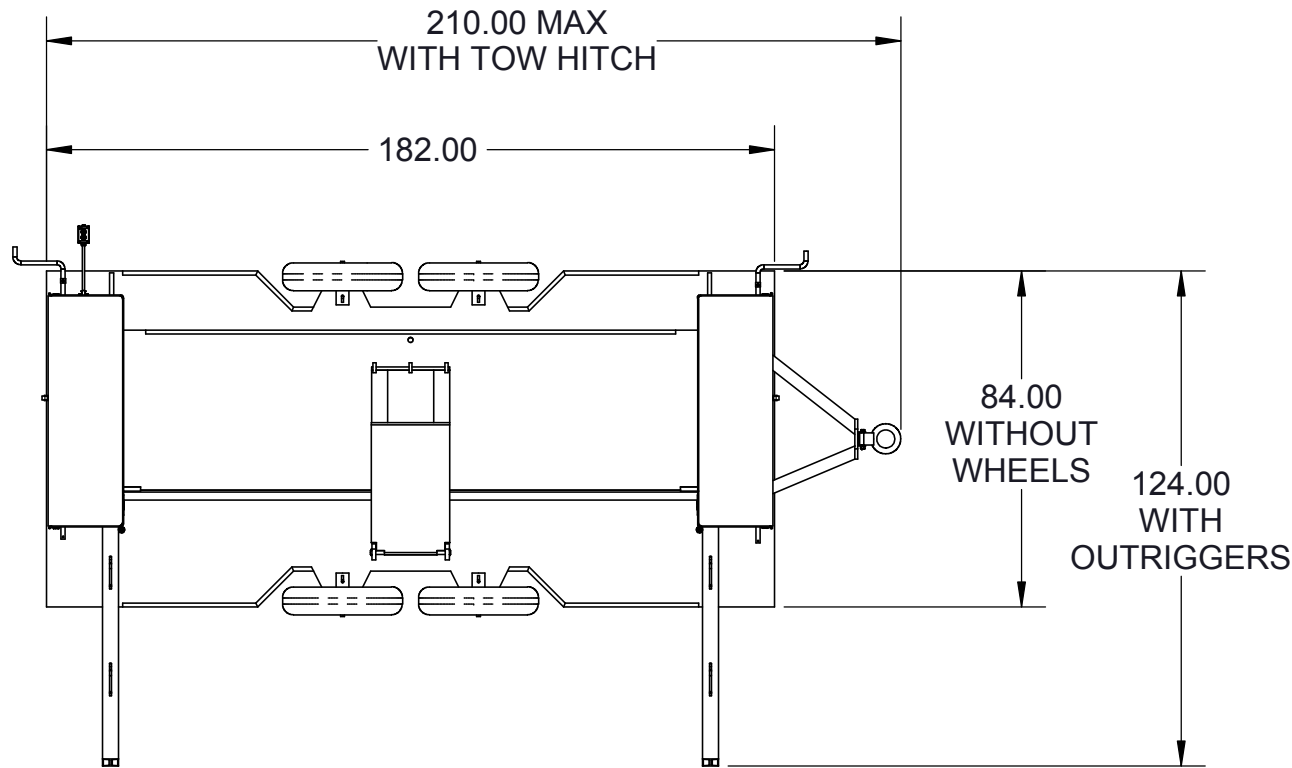


NOTES:

1. NOT ALL OPTIONS SHOWN. CONTACT B&B ARMOR FOR CUSTOMIZABLE OPTIONS
OPTIONS INCLUDE, BUT ARE NOT LIMITED TO, TRAFFIC LIGHTS, IR BEAMS, SOLAR PANELS, AND BATTERY BACK-UP
2. FINISH: MULTIPLE FINISH OPTIONS AVAILABLE
STANDARD FINISH IS BLACK WITH YELLOW STRIPING ON ATTACK PLATE AND WHEEL RUNNERS
3. CAD MODEL AVAILABLE UPON REQUEST
4. ALL LOOSE/REMOVABLE COMPONENTS TO BE STOWED INSIDE BUTTRESSES PRIOR TO SHIPPING



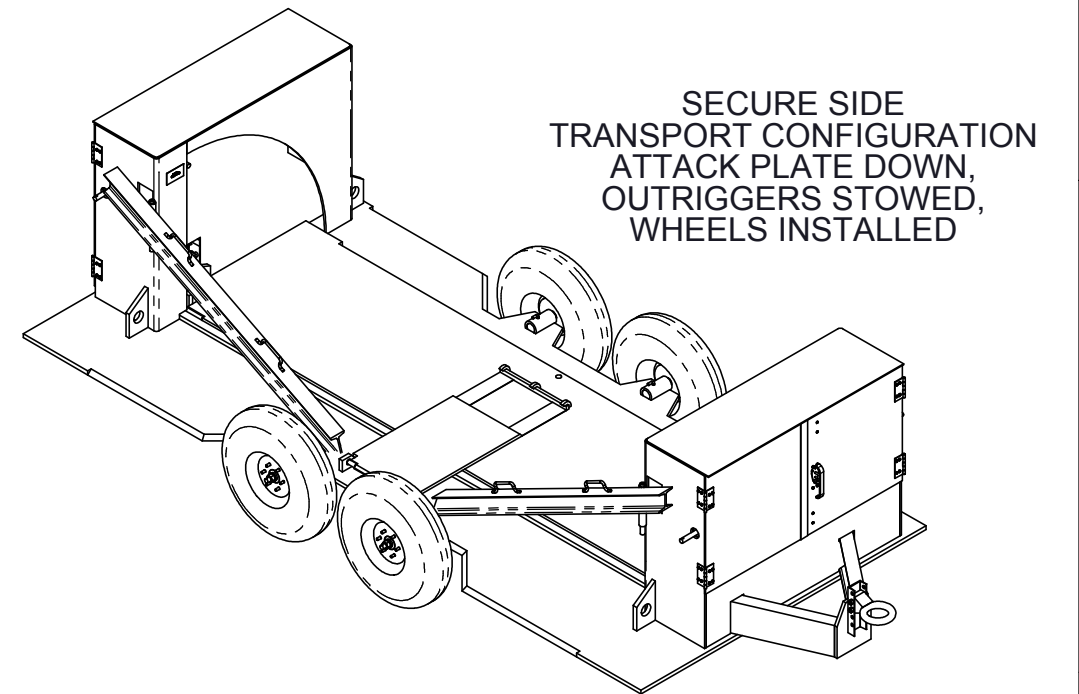
CONTROL BUTTRESS
HOUSES ELECTRIC CONTROLS
AND HYDRAULIC DRIVE SYSTEM

STORAGE BUTTRESS
HOUSES BATTERIES (OPTIONAL)
AND REMOVABLE COMPONENTS

B&B ARMOR
5900 S. LAKE FOREST DR.
SUITE 230
MCKINNEY, TX 75070
(800) 367-0387
WWW.BB-ARMOR.COM

UNLESS OTHERWISE SPECIFIED:		NAME	DATE	B&B ARMOR	
DIMENSIONS ARE IN INCHES STANDARD TOLERANCES: ANGULAR: ± 1°		DRAWN	P.MATTHEWS		
SHEETMETAL COMPONENTS: TWO PLACE (.XX)= ± .030 THREE PLACE (.XXX)= ± .010 FILLET RADIUS = .018 MAX		ENG APPR.	P.MATTHEWS	8/21/2015	TITLE: 850 PORTABLE BARRIER GENERIC LAYOUT FOR DISTRIBUTION
WELDMENTS: TWO PLACE (.XX)= ± .063 THREE PLACE (.XXX)= ± .030 FILLET RADIUS = .050 MAX		DO NOT SCALE DRAWING			
INTERPRET GEOMETRIC TOLERANCING PER: ASME Y14.5		MATERIAL	SEE PARTS		SIZE B
		FINISH	SEE NOTES		
		© COPYRIGHT 06/27/2016 B&B ROADWAY SECURITY SOLUTIONS ALL RIGHTS RESERVED			DWG. NO. 0850-0001
		THIS DOCUMENT AND THE INFORMATION IT CONTAINS SHALL NOT BE COPIED IN WHOLE OR PART WITHOUT THE EXPRESSED WRITTEN CONSENT OF B&BRS.			REV C
		SCALE: 1:40		WEIGHT:	SHEET 1 OF 1

ATTACK SIDE
DEPLOYED CONFIGURATION
ATTACK PLATE DEPLOYED,
OUTRIGGERS DEPLOYED,
WHEELS REMOVED



SECURE SIDE
TRANSPORT CONFIGURATION
ATTACK PLATE DOWN,
OUTRIGGERS STOWED,
WHEELS INSTALLED