



Model 820 Shallow Mount Barrier

- DOS Certified K12 rating 15,000 lbs @ 50 mph (6,803.9 kg @ 80.5 km/hr)
- Maximum stopping power
- Hydraulic operation
- Custom designs available
- Shallow mount design
- Low maintenance
- Superior corrosion protection
- Long-term durability
- Extreme vehicle weight capability
- Emergency fast operation
- Custom sizes available

Maximum Protection for Critical Locations

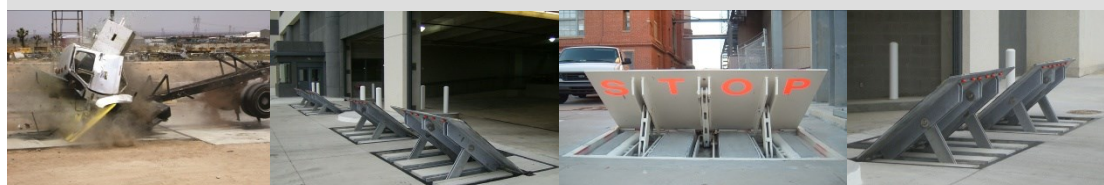
For the absolute maximum protection against unauthorized vehicle access, B&B ARMR's Model 820 Shallow Mount Vehicle Barriers are expertly engineered to completely immobilize a substantial, high-speed vehicle. Model 820 exceeds Department of State (DOS) specifications STD 02.01 with a K12/L3 rating and is capable of stopping a 15,000 lb. (6803.9 kg) vehicle traveling at speeds up to 50 mph (80.5 km/h) with zero penetration.

Designed for facilities and environments requiring the highest level of perimeter protection, Model 820 is ideally suited for government and military establishments, embassies and other critical infrastructures vital to our national security, economy, public health and safety.

B&B ARMR's Shallow-Mount Barriers are constructed of heavy-gauge steel shapes and weldments designed to transmit the energy of the impacting vehicle

to the foundation. Once constructed, the frame and top plate are finished with a superior rust inhibitor and anti-wear paint for superior corrosion protection. The barrier is operated by a control unit built to operate one or more barriers and uses a standard or custom controller to meet users' requirements.

Model 820 consists of a cast-in-place shallow foundation frame, raising plate with locking linkage and associated hardware to allow the plate to move from a horizontal position to a raised, secure position with the aid of an actuator. Designed for shallow excavation, model 820 comes complete with all necessary accesses for drains, hydraulic conduits and electrical services to further ease the installation process.



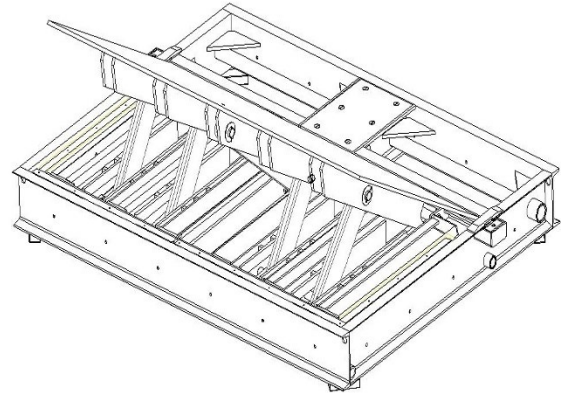
Model 820 Shallow Mount Barrier

www.bb-armr.com

Available Models	Drive Design	Operating Time	Clear Opening
820 Shallow Mount Barrier	Hydraulic	4-10 Seconds*	9' to 14'

Features	820
Weather Resistant HPU	✓
Limit Switch	✓
Loop Detector	✓
Master and Remote Control Panel	Option
Protective Bellows	Option
Integral Flashing Light Kit	Option
Barrier Heat Mat	Option
Traffic Light with Pole	Option
Safety IR Beams	Option
Stand Alone Warning Gate Arm	Option

* Operating time may be adjusted to suit users' needs. In emergency operation, the barrier can deploy in less than two seconds.



Model 820 Shallow Mount Barrier

In the active (up) position, the barrier stands 36 inches (0.9 m) high and lowers flush to the road surface to allow authorized vehicles to pass. The standard barrier plate is 9 feet (2.7 m) wide and is available in custom sizes to fit challenging installations. Set in a foundation depth as little as 12 inches (0.3 m), the Model 820 installation avoids most underground utilities and infrastructures.

The barrier is provided with safety locks that may be used during servicing to secure the unit for long periods of time. Additional safety devices can be used to enhance the barrier performance including face mounted LED lights, safety loops, bellows and traffic lights.



B&B ARMOR
5900 S. Lake Forest Drive
Suite 230
McKinney, TX 75070

As a premier provider of high security gates and barriers for perimeter protection and control, B&B ARMOR is well positioned to serve our clients with unparalleled product offerings for commercial and industrial applications. For further information call us at 800-367-0387, or visit our website at www.bb-armr.com.