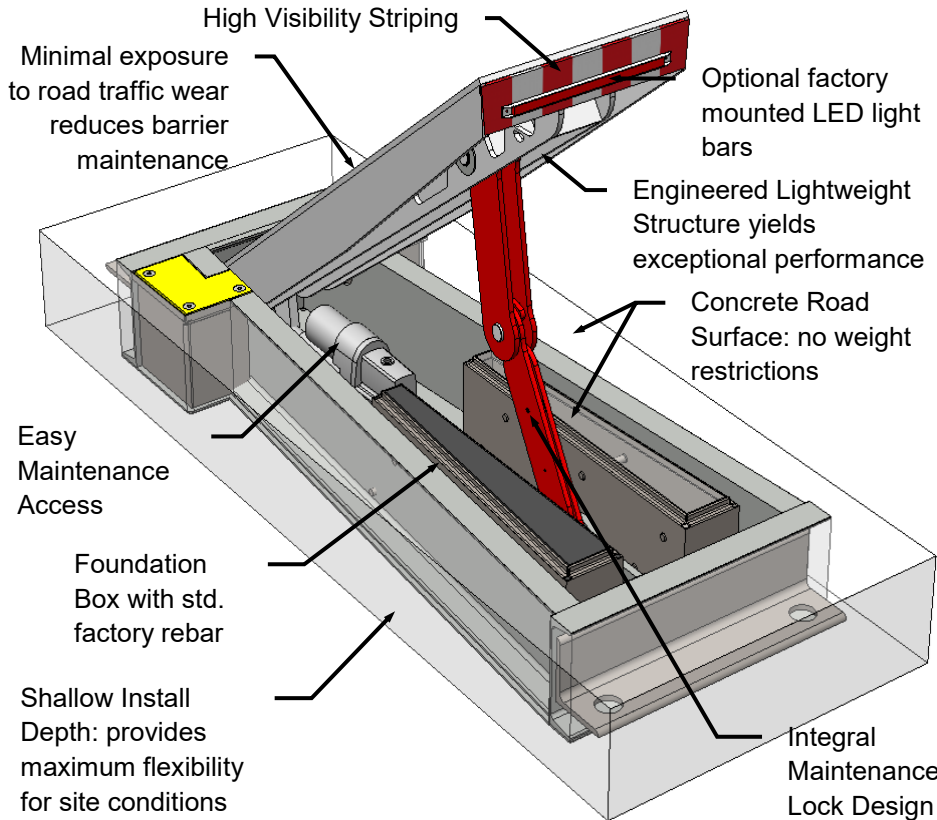


# MODEL 833

High Security • Wedge Barrier • Ultra Shallow Mount

M30 Engineered

15,000 lbs. @ 30 mph



**The 833 series is a high-protection, compact, vehicle disabling wedge barrier. An economical alternative to deep mounted automated bollards, the unit is shallow mounted, powered by an electric, hydraulic or manual drive system and can be used in standalone or array configurations. Designed to control vehicle traffic, a unitary shallow mount system is engineered to stop an unauthorized vehicle up to 15,000 lbs. @ 30 mph.**

## Features

- Maximum stopping power:
  - Designed to meet ASTM F2656 M30 (15,000 lbs @ 30 mph) [6,803.9 kg @ 48 km/hr] barrier
- Electric (-E), Hydraulic (-H) or Manual (-M) drive system
- Ultra shallow mount design
- Flush barrier surface when stowed
- Simplified, low maintenance design
- Superior corrosion protection for long-term durability
- Extreme vehicle weight capability

## Typical Applications

- Light Commercial
- Government and Military
- Parking Garage
- Sports Complex
- Universities
- Embassies
- Municipalities
- Airports

## WEDGE SIZING (True Clear Opening)

2' (.6) Design

## AVAILABLE OPTIONS

Battery Backup

Integral LED Light Kit

Obstruction Detection

Cold Weather Package

Custom Finishes

Loop Detector

Sump Pump

Model	833-E/H	833-M
Actuator	Electric Linear/Electro Hydraulic	Manual
Crash Certified	PE Certified 15,000 lbs. at 30 MPH	
Duty Cycle	Continuous	Manual
HP	1.5 hp	N/A
Open/Close Time	3 seconds	Personnel Dependent
Emergency Fast	< 1 second	N/A
1 Phase Power	115 - 240VAC (custom available)	N/A
3 Phase Power	208 - 480VAC (custom available)	N/A
Size (Attack Plate)	2 ft. (.6 m)	
Barrier Deployed Height	38 in. (.97 m)	
Material	Hot Dipped Galvanized Steel	
Finish	Paint (std. color schemes) over galvanized steel	
Temperature Rating	-40° to 140° F (-40° - 60° C)	
Foundation	Shallow depth (less than 12 in.)	
User Controls	Multi-Function PLC	N/A
Loading	Foundation limited	



5900 S. Lake Forest Drive, Ste. 230 | McKinney, TX 75070

[www.bb-armr.com](http://www.bb-armr.com) | 800.367.0387 | [info@bb-armr.com](mailto:info@bb-armr.com)

Copyright © 2017, B&B ARMR, A Division of B&B Roadway and Security Solutions

PS-833-0218-REVD

B&B ARMR reserves the right to change any product information without notice.